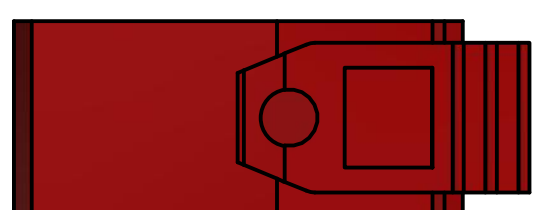
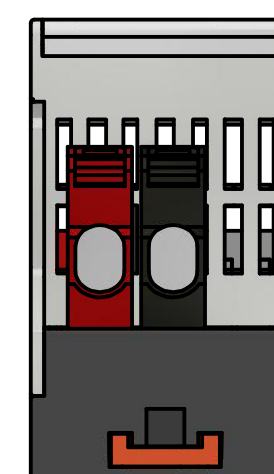
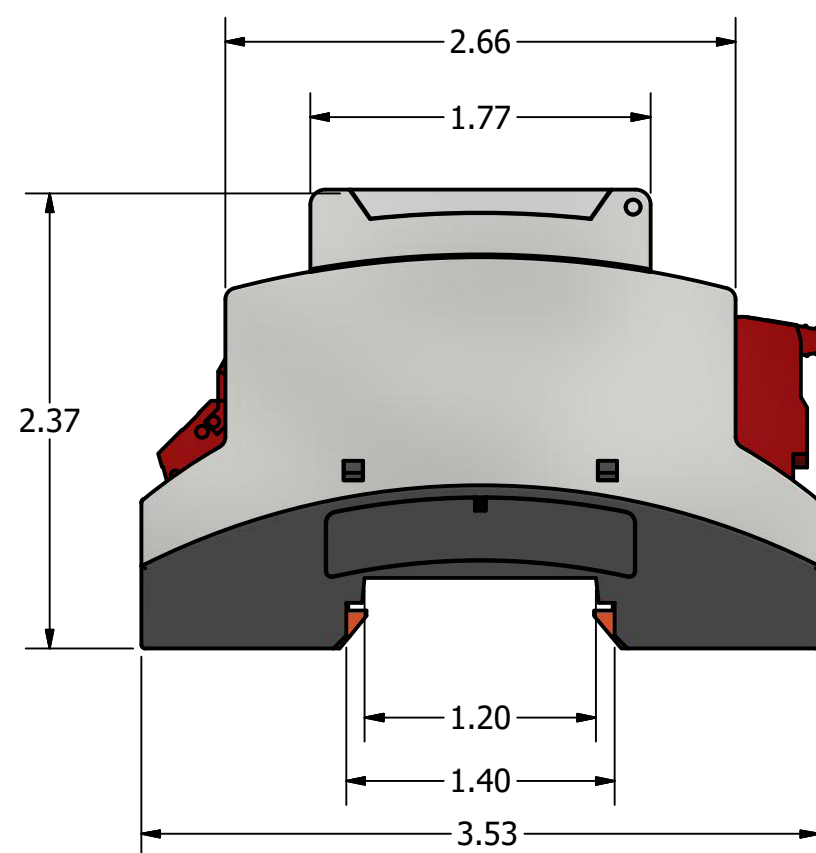
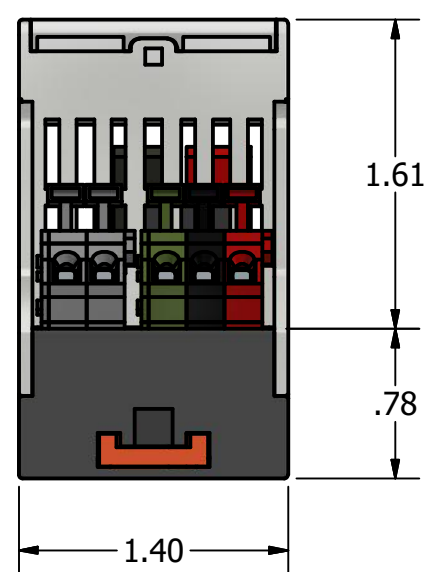
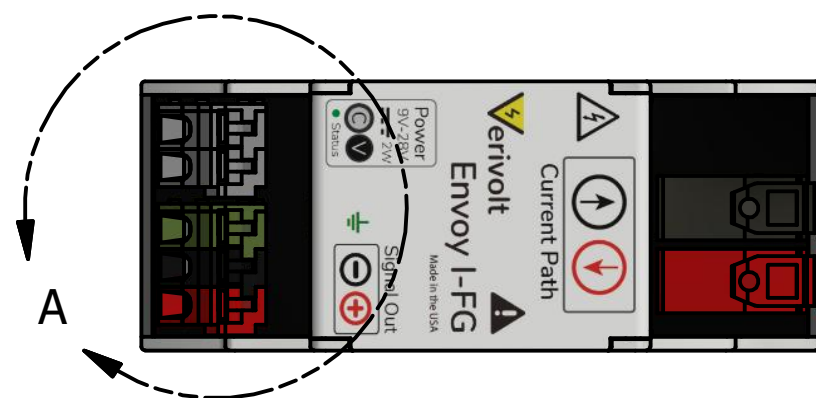
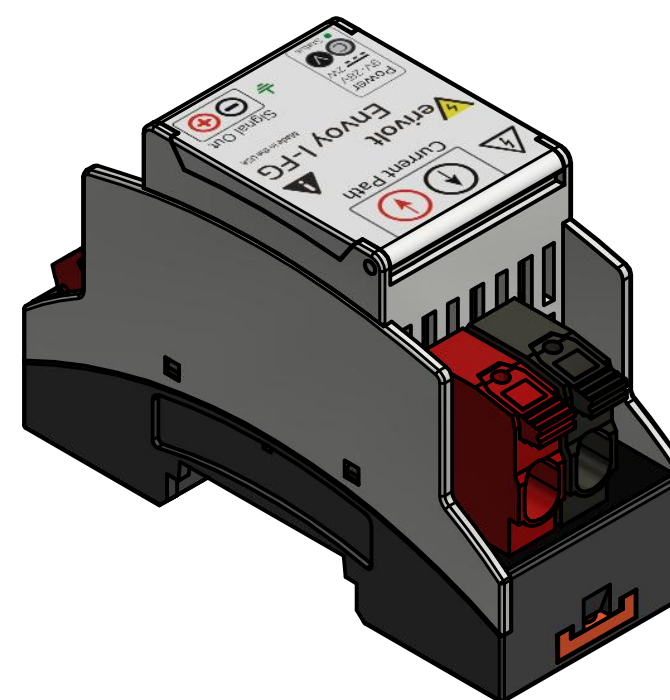



DETAIL A  
SCALE 2 : 1



Conductor cross section AWG min.24  
 Conductor cross section AWG max.10  
 Conductor cross section min.0.2 mm<sup>2</sup>  
 Conductor cross section max.6 mm<sup>2</sup>  
 Stripping length 12 mm  
 Rated surge voltage (III/3)8 kV



Conductor cross section solid min.0.2 mm<sup>2</sup>  
 Conductor cross section solid max.1.5 mm<sup>2</sup>  
 Conductor cross section AWG min.24  
 Conductor cross section AWG max.16  
 Stripping length 8 mm

DRAWN J. Lizarazo	2/20/2019			
CHECKED				
QA		IsoBlock I-FG-1c-S		
MFG				
APPROVED				
		SIZE C	DWG NO IsoBlock I-FG-1c-S	REV
		SCALE	SHEET 1 OF 1	